

EC 金属叶轮后倾离心风机
EC Backward Centrifugal Fan with Metal Impeller

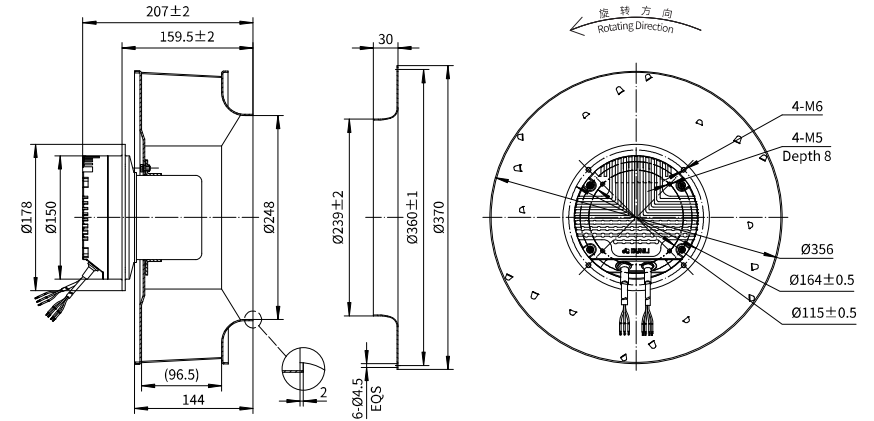
Erp2015
EXCEEDS THE NORM

后倾离心风机 Motorized Backward Curved Impeller

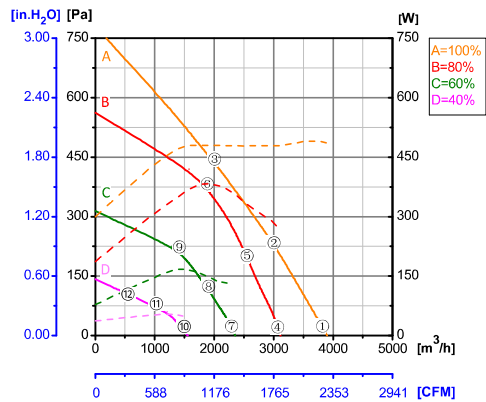


Φ 355-H

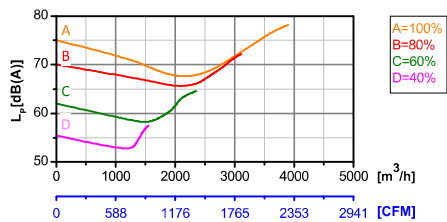
转子材质 Rotor Material: 碳钢 Carbon steel
 叶轮材质 Impeller Material: 铝合金 Aluminum alloy sheet
 防护等级 Ingress Protection: IP54
 绝缘等级 Insulation Class: F
 轴承类型 Bearing Type: 免维护滚珠球轴承
 Maintenance free ball bearing



性能曲线 Performance Curves



| 测试节点 Test Point | 转速 Speed rpm | 输入功率 Input Power W |
|--------------------|--------------------|--------------------------|
| 1 | 2279 | 486 |
| 2 | 2129 | 477 |
| 3 | 1968 | 480 |
| 4 | 1825 | 263 |
| 5 | 1820 | 321 |
| 6 | 1825 | 386 |
| 7 | 1367 | 118 |
| 8 | 1367 | 144 |
| 9 | 1372 | 168 |
| 10 | 910 | 46 |
| 11 | 911 | 51 |
| 12 | 913 | 52 |



Erp2015 Data:
 Efficiency η_{statA} = 56.4%
 Efficiency grade N_{actual} = 70.2, N_{target} = 62
 Test report No. : L-20210302-005-050

| 产品型号 Model No. | 电压 Voltage VAC | 频率 Frequency Hz | 转速 Speed RPM | 输入功率 Input Power W | 电流 Current A | 运行温度 Working Temp. Min/Max (°C) | 认证 Approvals |
|-------------------|----------------------|-----------------------|--------------------|--------------------------|--------------------|---------------------------------------|-----------------|
| EC102-B355-039 | 1~220/230 | 50/60 | 2100 | 440 | 1.90 | -20/+60 | CCC, CE |