



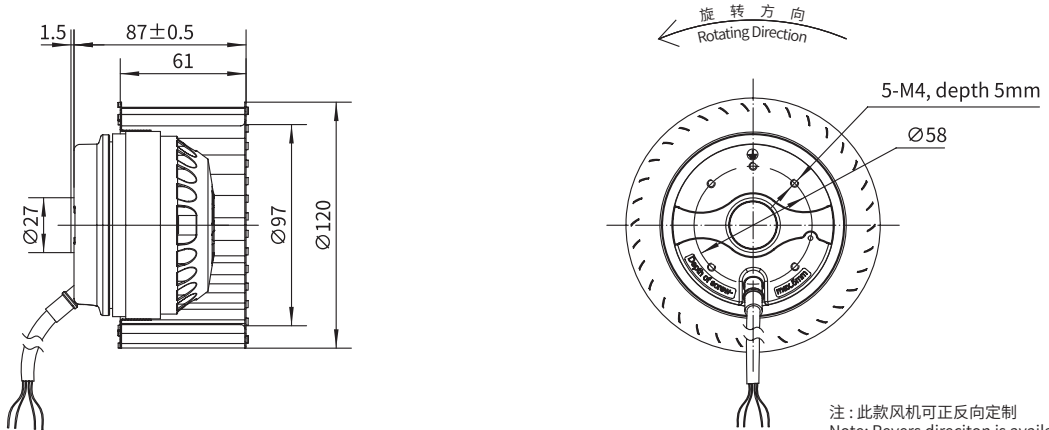
前倾离心风机
Forward Curved Centrifugal Fan



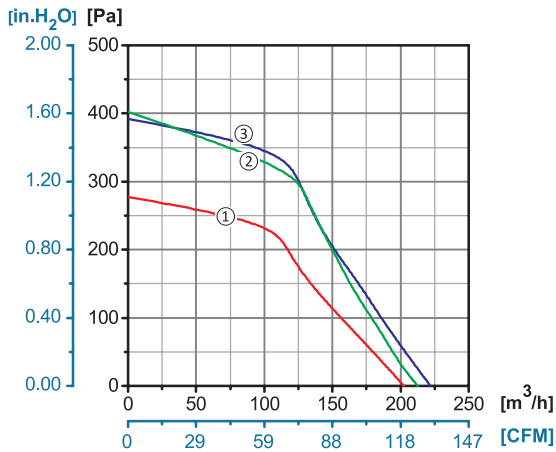
Φ 120

转子材质 Rotor Material: 铸铝 Aluminum Die-casting
 叶轮材质 Impeller Material: 镀锌板 Galvanized Steel Sheet
 防护等级 Ingress Protection: IP44
 绝缘等级 Insulation Class: F
 轴承类型 Bearing Type: 免维护滚珠球轴承
 Maintenance Free Ball Bearing

产品尺寸图 Dimensional Drawings



性能曲线 Performance Curves



| 产品型号 Model No. | 电压 Voltage | 频率 Frequency | 电流 Current | 功率 Power | 转速 Speed | 电容 Capacitor | 风量 Air Flow (0 Pa) | 噪音 Noise | 曲线 Curve | 运行温度 Working Temp. | 认证 Approvals |
|---------------------|---------------|-----------------|---------------|-------------|-------------|-----------------|-----------------------|-------------|-------------|-----------------------|-----------------|
| | V | Hz | A | W | RPM | μF | [m³/h]/[CFM] | dB(A) | No. | Min/Max (°C) | |
| YWF.F2S-120-060AX2A | 110/120 | 60 | 0.53 | 64 | 2975 | 6 | 210/123 | 66 | ② | -30/+60 | |
| YWF.F2S-120-060AX20 | 220/230 | 50 | 0.3 | 65 | 2650 | 3 | 220/120 | 63 | ① | -30/+60 | CCC, CE |
| | 220/230 | 60 | 0.39 | 80 | 3000 | 3 | 220/129 | 66 | ③ | -30/+60 | CE |